

THINK NOOK FABRIC PLANNER

For Purchase Order Number:

Project Name:

COM Yardage Requirements

Headboard: 1 Linear Yard

Fabric Manufacturer:

Fabric Pattern:

Fabric Color:

Back: 2 Linear Yards

Fabric Manufacturer:

Fabric Pattern:

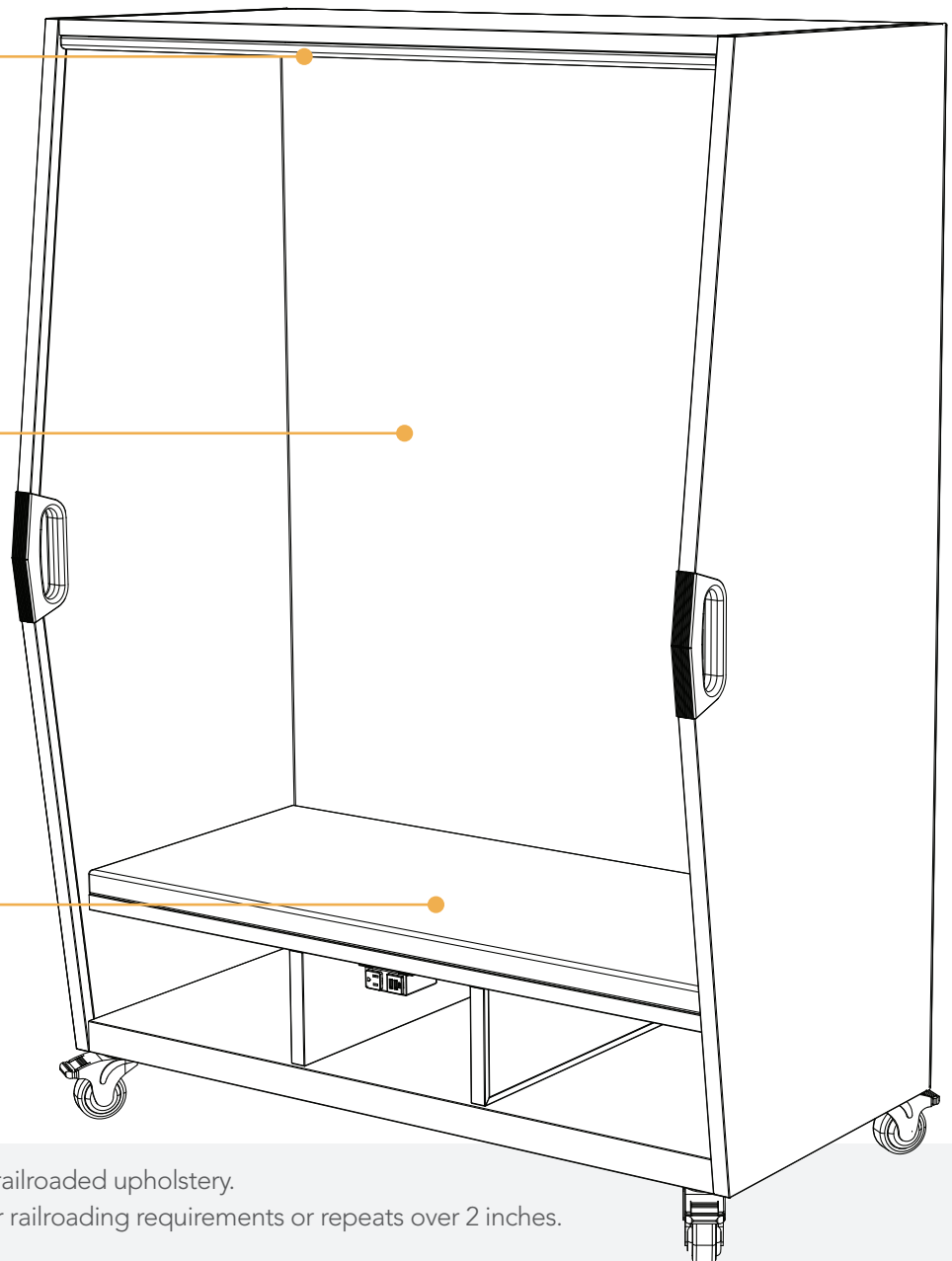
Fabric Color:

Seat: 1 Linear Yard

Fabric Manufacturer:

Fabric Pattern:

Fabric Color:



Yardage requirements are for non-railroded upholstery.

Please contact customer service for railroding requirements or repeats over 2 inches.

This form must accompany your order. Send completed form to sales@haskelleducation.com

The lead-time of your order is directly related to when the COM fabric is received.

Please ship COM to: Haskell, 3770 Hagen Dr., Wyoming, MI 49548

Clearly label all materials with the dealer name, project name, and purchase order number.